



# EP Lighting, Inc.

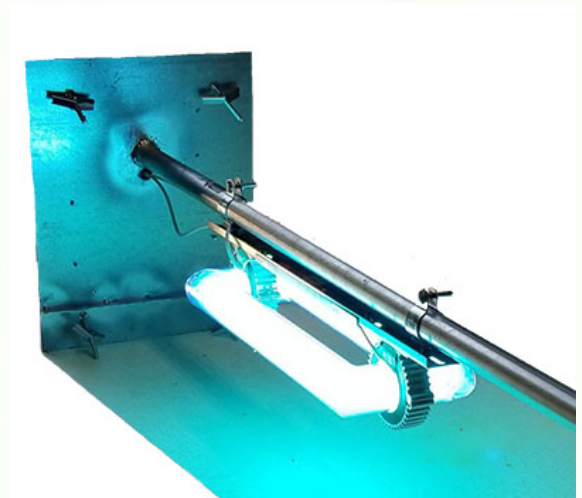
## UV-Kleen™ BuildingAirKleen

### UVK-BAK-300/600W: For disinfecting air through HVAC system

The patented technology of the BuildingAirKleen (BAK) is a high intensity UVC disinfecting system for building HVAC system. The BAK series is designed to disinfect the air almost instantaneously when passing at close proximity of the lamp, sending sterilized air back into the room. The high energy UV irradiation improves indoor air quality (IAQ), and save energy costs and maintenance on the HVAC units.

### Key Features:

- Improves IAQ by disinfecting air borne pathogens
- Work with ductwork system from 22" to 120" wide
- Patented design with 100,000 hrs of lamp life and 5-year warranty
- FDA listed, tested on coronavirus, Made in the USA
- Multiple units can be paired together providing complete sterilization coverage of your building

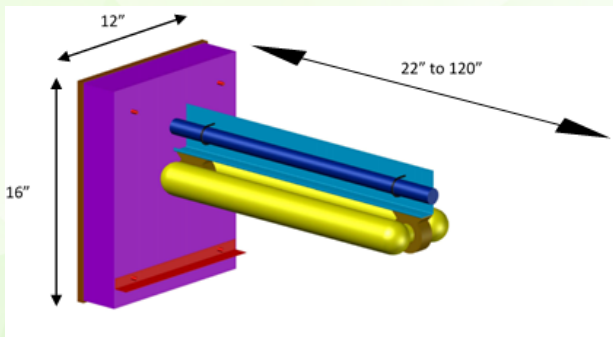


### Applications:

Building HVAC system

### Installation:

Certified Electrician, and HVAC professional required



### Technical Specifications:

- Patented design: 120-277Vac 50/60Hz, 0.99 power factor, <10% current THD
- Germicidal UV range: 253.7 UVC, "NO Ozone"
- Premium Stainless steel for durability
- Easily mounted to the existing ductwork
- Relay that turns on the system with the blower fan
- Powerful and efficient 300w and 600w to disinfectant larger HVAC systems

### Warranty:

Lamps and Ballasts: 5 years

**99.99% kill rate on Covid19 in 1.3 sec @ 1ft, 2 sec @ 3ft**